

# TOSHIBA

## INSTALLATION MANUAL

### SPACER FOR HEIGHT ADJUSTMENT

Model:TCB-SP1601UE

- Before installation work, read thoroughly this “Safety Cautions” to install the option parts correctly.

### SAFETY CAUTIONS

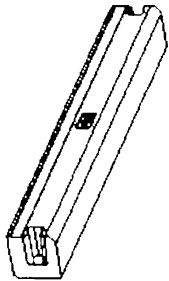
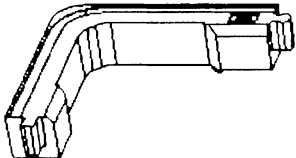
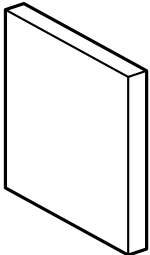
- After installation work has been completed, perform a trial operation of the air conditioner in order to ensure that it is operating normally, and then hand over to the customer and ask to keep this Installation Manual.

<b>⚠ WARNING</b>	Be sure to use the option parts specified by our company. Be sure to use the product specified by our company about option parts, such as spacer for height adjustment and ceiling panel. If the product except having been specified is used, it may become causes, such as a water leak, and an electric shock, a fire.
<b>⚠ CAUTION</b>	Turn off the main power supply switch or breaker during attachment of spacer for height adjustment. Attach spacer for height adjustment in ceiling panel certainly. If a defect is in attachment, it may become causes, such as a water leak and an electric shock.

### SPECIFICATIONS

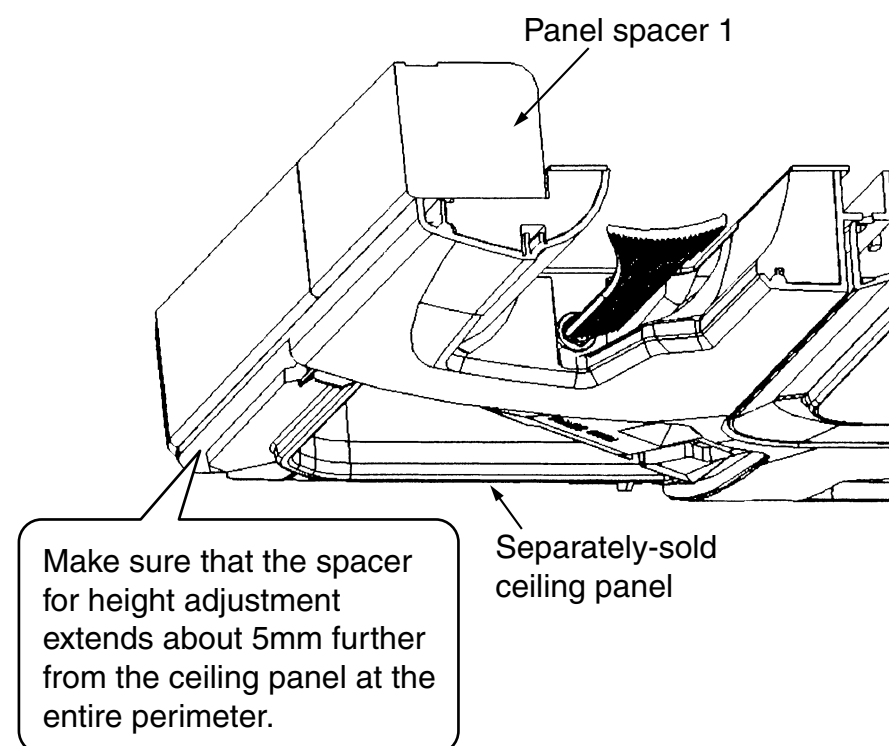
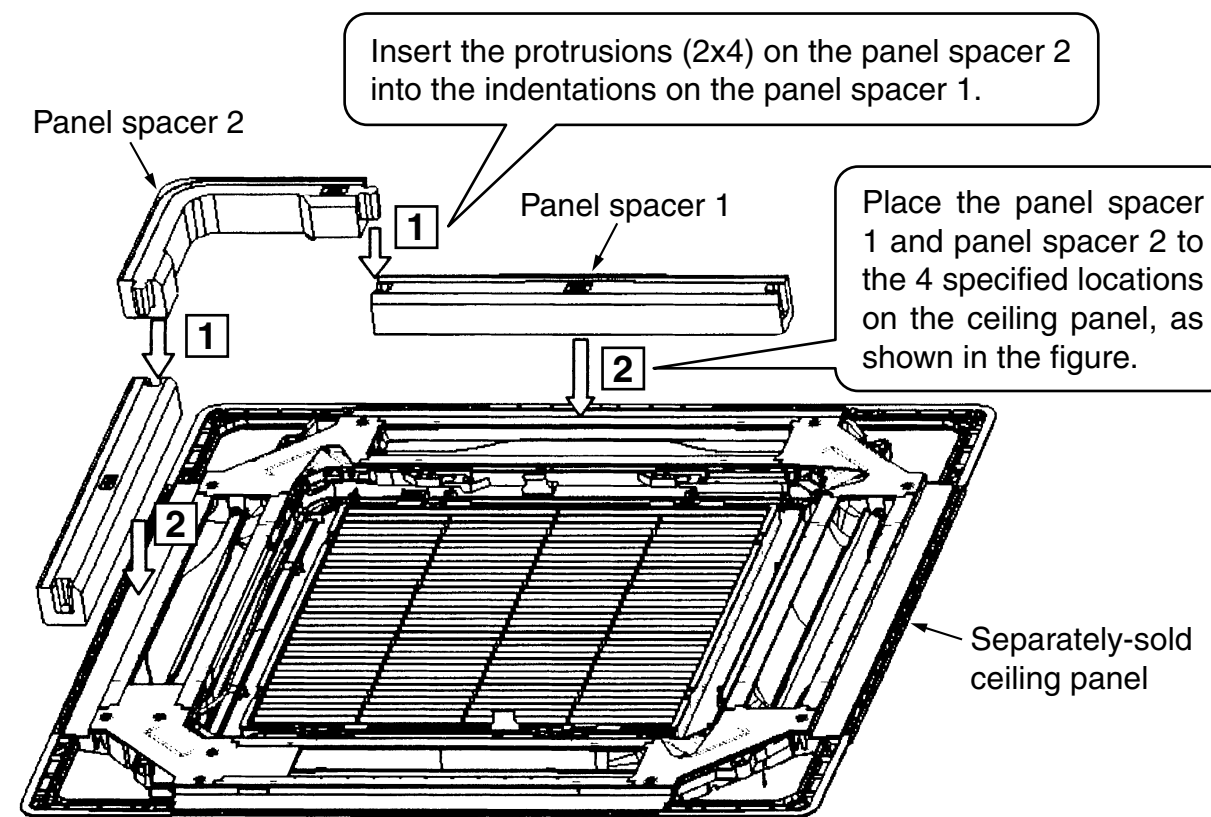
Spacer for height adjustment model name	TCB-SP1601UE
Ceiling panel	RBC-U21PG(W)-E, RBC-U21PG(W)-E2

### ACCESSORIES

Name	Panel spacer 1	Panel spacer 2	Installation manual
Form			
Q'ty	4	4	1

### INSTALLATION

- (1) Mount it by following the steps ① and ② in the figure.
- (2) After mounting it, mount the separately-sold ceiling panel.



- (3) For mounting instructions and cautions for the indoor unit and ceiling panel, refer to the respective Owner's Manual and Installation Manual.