

FRESH AIR AND FILTER CHAMBER

Model: TCB-GFC1601UE2

1. PREPARATIONS FOR INSTALLATION

- The high efficiency filter and the super long life filter in combination with the fresh air and filter chamber are as follows. Confirm the following.

High efficiency filter	Super long life filter
TCB-UFH1601UE	TCB-LF1601UE2
TCB-UFM1601UE	

Note: When the above filter is used, airflow may decrease. This can cause decrease of cooling air flow and dew drop. Therefore, be sure to change DC fan motor rotating tap setting by the wired remote controller.

(Setting change should be performed according to the installation manual supplied with the filter (sold separately). For the super long life filter, change the setting data to 0001. For the high efficiency filter, change the setting data to 0003.)



- The fresh air inlet box in combination with the fresh air and filter chamber is as follows.

Fresh air inlet box
TCB-GB1601UE2

Note: When the above inlet box is used, indoor unit height becomes high 115mm upwards. Please check that a margin is an installation place.

2. ACCESSORIES

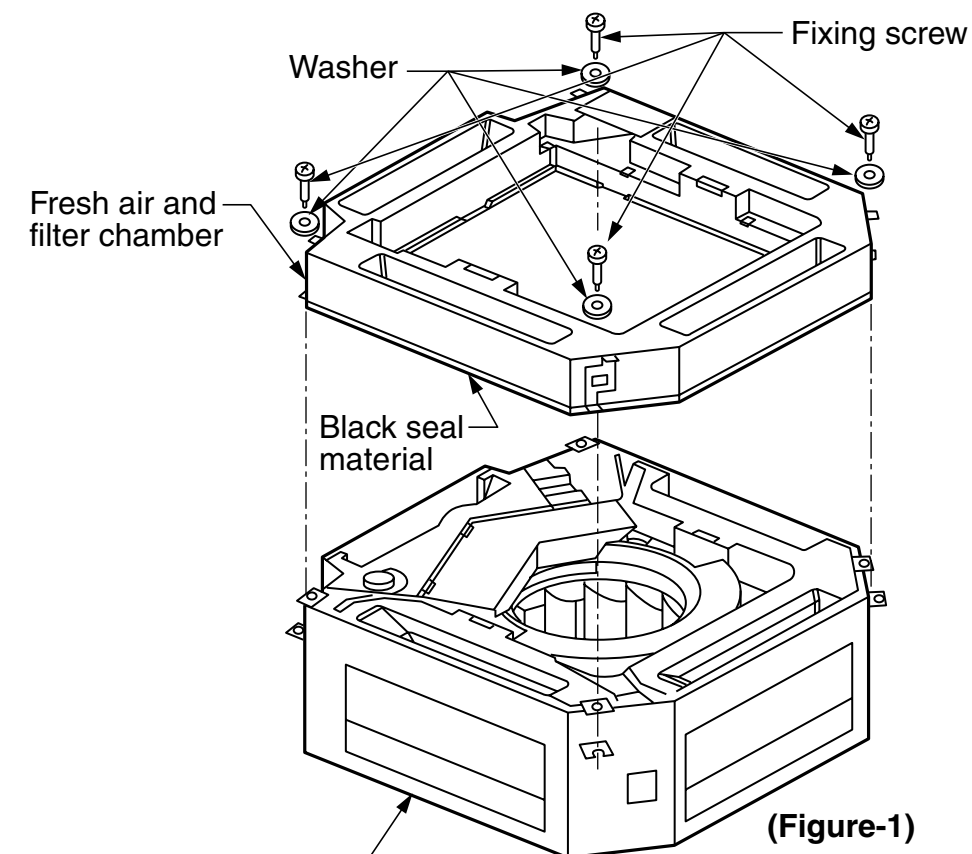
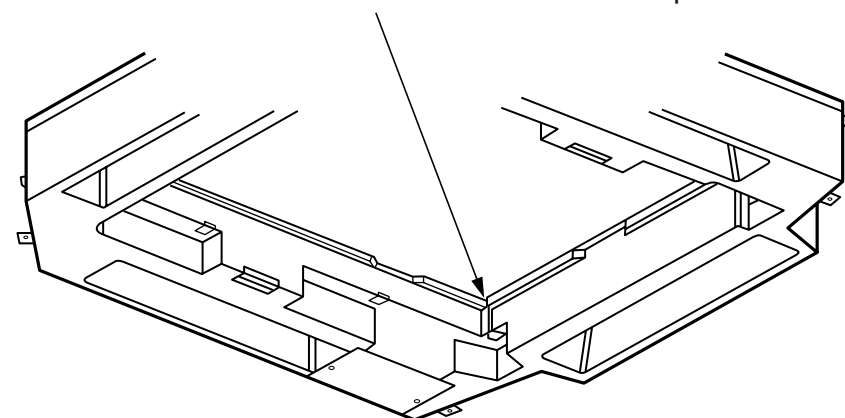
- Confirm that the following parts are supplied in the package.

Name	Q'ty	Remarks
Fixing screw 	4	Used to fix the fresh air and filter chamber.
Washer 	4	

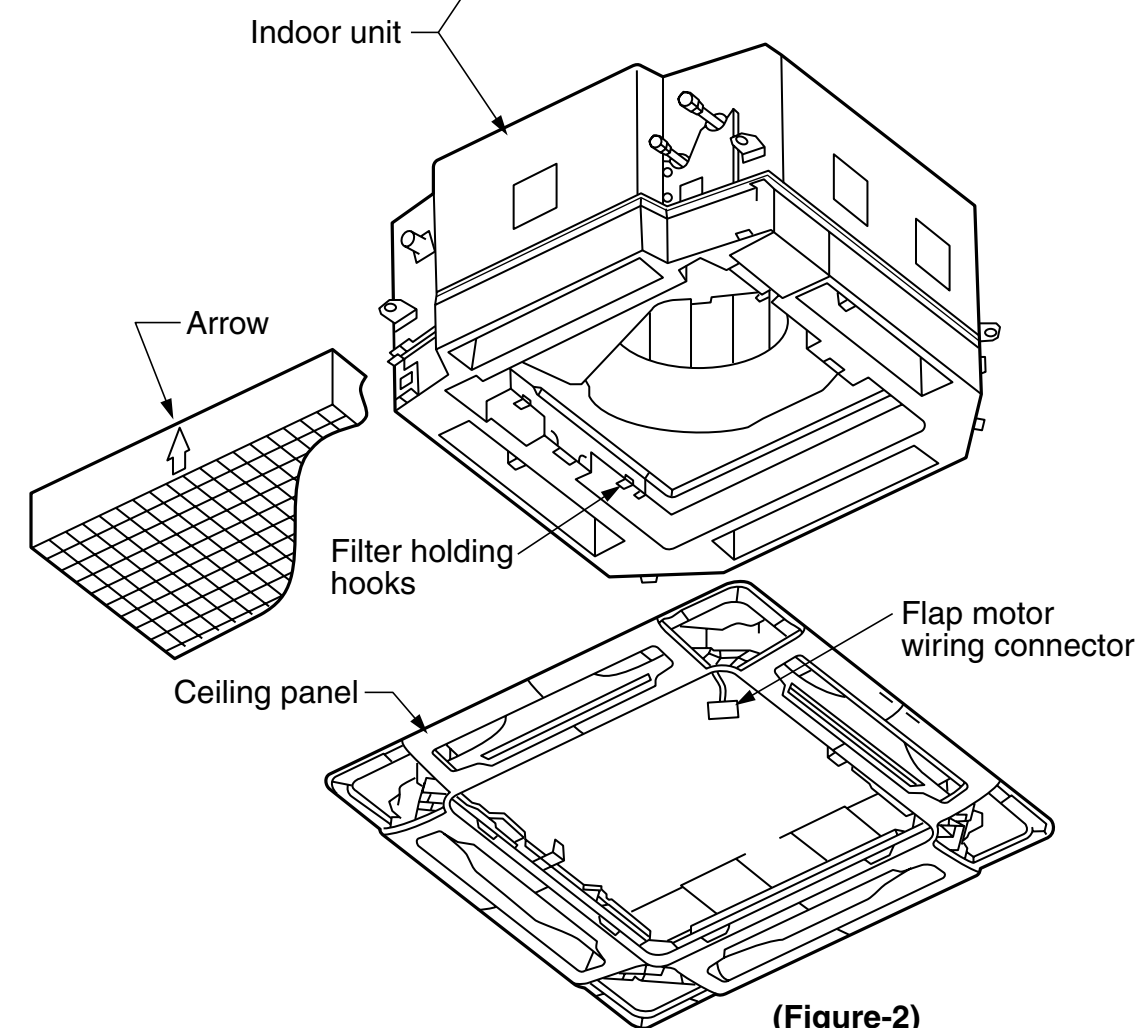
3. INSTALLATION PROCEDURE

Note: When installing the fresh air inlet box with the fresh air and filter chamber into the ceiling, be careful of handling. Especially, giving a shock to the side panel of the fresh air and filter chamber may damage it.

- Installing the fresh air and filter chamber (Figure-1)
 - Align the black seal material side of the fresh air and filter chamber with the indoor unit. (Be careful of the installation direction. Align the shape of the indoor unit and the fresh air and filter chamber.)
 - Fix it with accessory fixing 4 screws and 4 washers.
- Installing the indoor unit
 - Install the indoor unit (with the fresh air filter chamber) to the ceiling. (Installation should be performed according to the installation manual supplied with the indoor unit.)
- Installing the ceiling panel (optional parts) (Figure-2)
 - Install the ceiling panel to the fresh air and filter chamber. (Installation should be performed according to the installation manual supplied with the ceiling panel.)
 - Insert the flap motor wiring connector of the ceiling panel into the eyehole of the fresh air and filter chamber not to fall and connect it to the P.C.board in the electric part box.



(Figure-1)



(Figure-2)

- Installing the Super Long Life Filter (optional parts) (Figure-2)
 - Rotate the filter holding hooks (4 places) of the fresh air and filter chamber.
 - Attach the filter in the fresh air and filter chamber. (Be careful of the installation direction. attach the filter with the arrow on the side facing toward the indoor unit.)
 - Rotate the filter holding hook (set the filter to be positioned on the filter frame) and fix the filter. (Installation should be performed according to the installation manual supplied with the filter.)
- Installing the fresh air inlet box (optional parts)
 - Install the fresh air inlet box according to the installation manual supplied with the fresh air inlet box.