

# TOSHIBA

# INSTALLATION MANUAL

## SUCTION CANVAS

Model: TCB-CA281BE, CA501BE, CA801BE, CA1401BE

### ■ PARTS LIST

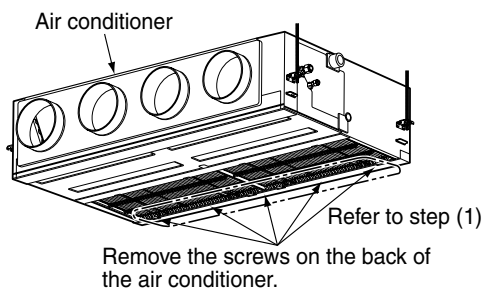
Parts name	TCB-CA281BE	TCB-CA501BE	TCB-CA801BE	TCB-CA1401BE
Canvas fixing screw (M4 x 30mm)	4	4	10	10
Turnbuckle	4	4	4	4
Fixing screw (M4 x 10mm)	4	4	4	4
Suction canvas	1	1	1	1

### Before installing the suction canvas, check the following :

- Check that heat insulation treatment is provided for the connection piping of the air conditioner.
- Check the levelness of the air conditioner and gradient of the drain piping.

### ■ INSTALLATION PROCEDURE

#### Installing the suction canvas



- (1) Remove the screws on the back of the air conditioner.

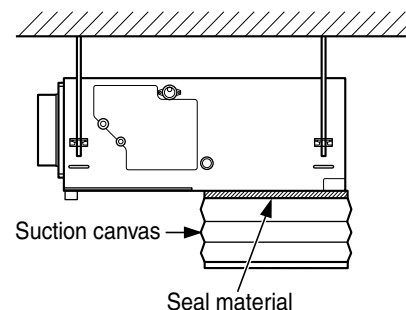
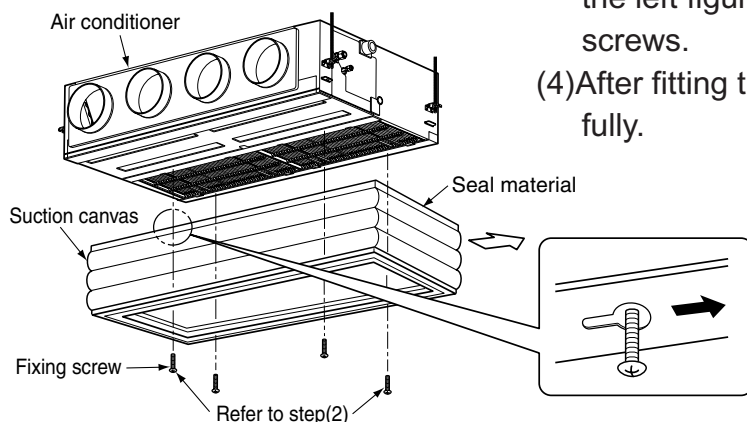
The suction canvas is to be installed here, so you need to remove these screws to install it.

Model name	Number of the screw
MMD-AP0071BH to AP0181BH	2
RAV-SM561BT, SM562BT	
MMD-AP0241BH to AP0561BH	5
RAV-SM801BT to SM1401BT	
RAV-SM802BT	
to SM1402BT	

- (2) Temporarily tighten 2 fixing screws to the air conditioner. (The screw-in margin should be about 10mm.)

- (3) Move the suction canvas to the direction of the arrow on the left figure, and fix it by temporarily tightening 2 screws.

- (4) After fitting the remaining screws, tighten all the screws fully.

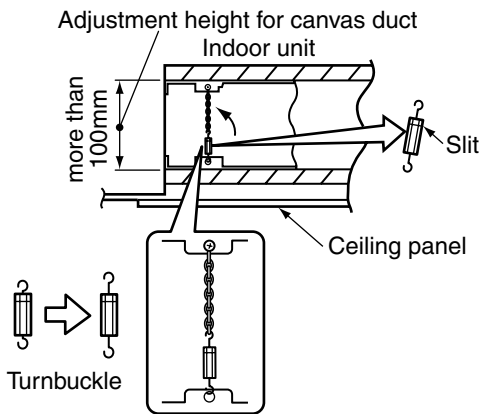


(It continues to the back.)

## Adjust the suction canvas

Mount the ceiling panel. For details, refer to "Ceiling Panel Installation Manual".

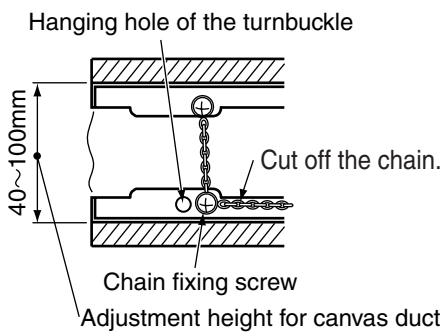
### ●Adjustment height of the suction canvas is more than 100mm:



Use the turnbuckle for adjustment.

- (1) Install the attached turnbuckle to the suction canvas, and hook the turnbuckle onto the chain so that there is no gap between the mounting ceiling surface and ceiling panel. (Before installing the turnbuckle, extend the screws so that the groove faces upward.)
- (2) Turn the turnbuckle clockwise until there is no gap between the ceiling panel and ceiling surface.

### ●Adjustment height of the suction canvas is between 40mm and 100mm:



Use the chain for adjustment.

Fix the chain with the chain fixing screws so that there is no gap between the ceiling panel and ceiling surface.

### CAUTION

To prevent abnormal sounds, cut off the excessive portion of the chain.