

TOSHIBA INSTALLATION MANUAL

Ceiling Panel

MODEL: RBC-UM11PG (W)E

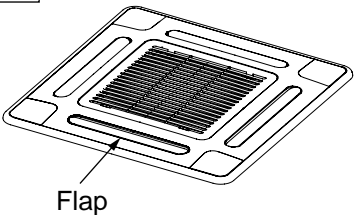
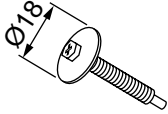
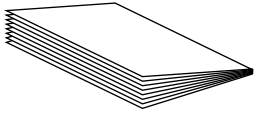
Cautions on Safety

- Before installation work, read this “Cautions on Safety” thoroughly.
- Strictly keep the following items in mind because they describe the serious contents concerned with safety.
- After the installation work has been completed, perform a trial operation to check for a possible problem. Following the Owner’s Manual, explain to the customers how to use the air conditioner.

! WARNING

- **Ask an authorized dealer or qualified installation professional to install the ceiling panel.**
Inappropriate installation may result in water leakage, electric shock or fire if you install it by yourself.
 - **Carry out an installation work surely according to this Installation Manual.**
Inappropriate installation may result in water leakage, electric shock or fire, etc.
 - **A person qualified in the electric work should execute the electric works according to the Installation Manual and should use the personal circuits.**
The voltage shall be matched with the rated voltage of the product.
-
- **Never modify or repair the product by yourself.**
Incomplete modification or repair may result in an electric shock or a fire.

Components

Name	Ceiling panel		Washer based screw		Installation manual	
Q'ty	1		4	ØM5mm x 40mm	1	
Shape					 Ceiling Panel Installation Manual	

- **Never apply an excessive force on the flap. It causes a trouble.**

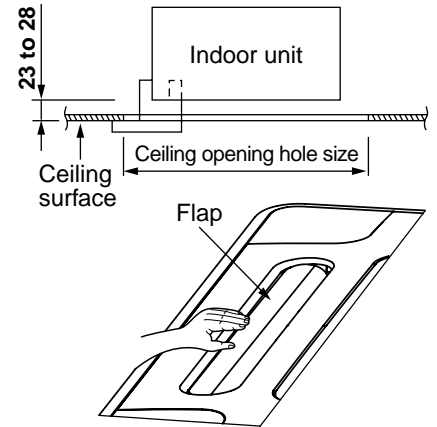
1. Preparation before installation of ceiling panel

(1) Position check of indoor unit

1. Confirm the position of the indoor unit according to the Installation Manual.
2. Check whether size of the ceiling opening hole is in the following range or not. 595 mm × 595 mm to 660 mm × 660 mm
3. Using the installation gauge which is attached to the indoor unit package, determine position of the indoor unit against the ceiling surface. If the position of the indoor unit is not correct, air leak, water leak (dewing), or malfunction of the flap is caused.

- **Never put the ceiling panel downward, lean it, or leave it on a projection to avoid a damage on the surface of the ceiling panel.**
- **Do not apply an excessive force on the flap when hanging it tentatively to the indoor unit. (It causes a trouble on the flap.)**

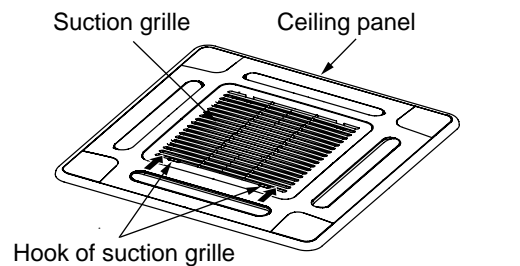
Keep the range within 23 to 28 mm, otherwise, a trouble is caused.



2. Installation to indoor unit

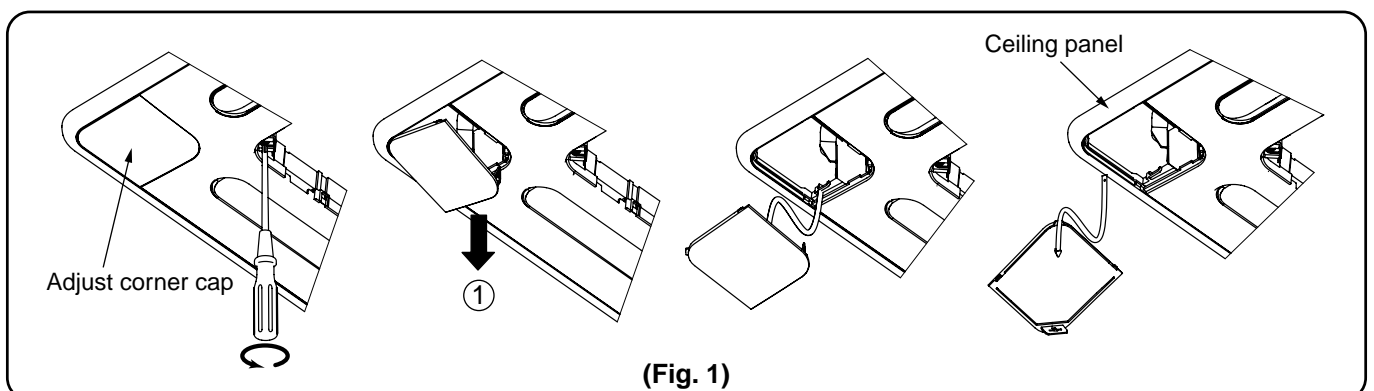
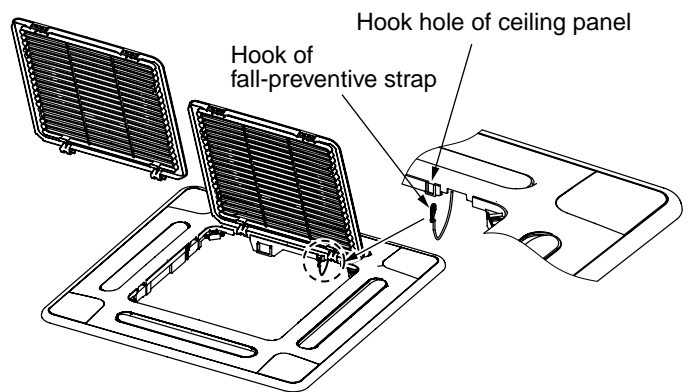
(1) Removal of suction grille

1. Slide the hook which comes forth from the suction grille and open the suction grille.
 2. Take off hook of the fall-preventive strap from the ceiling panel.
- **Do not take off screws of the fall-preventive strap at the suction grille side.**
3. Remove the hinge section of the suction grille from the ceiling panel while the suction grille is opened.



(2) Removal of adjust corner cap

1. Turn counterclockwise the screw of the suction port corner of the ceiling panel to loosen it, and then float the edge of the adjust corner cap.
2. Slide the adjust corner cap toward direction of the arrow mark ① and then remove it. (Fig.1)



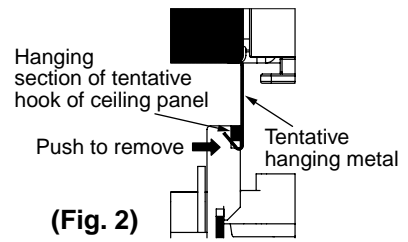
(Fig. 1)

(3) Installation of ceiling panel

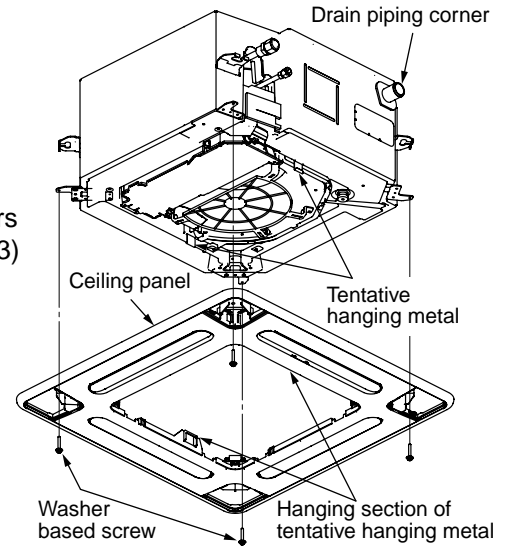
Be sure to change angle of the flap while the power supply is turned on.

(Never move the flap forcibly with hands; otherwise the flap may be broken.)

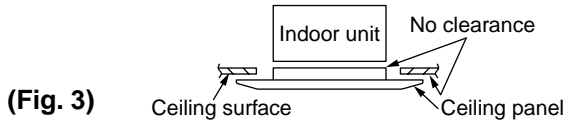
1. Hang tentatively the tentative metal (stainless) of the indoor unit to hanging section of the ceiling panel. (Fig.2)
 - The ceiling panel has the directive performances against the indoor unit. Mount the ceiling panel with arranging the tentative hanging position.
 - When removing the ceiling panel, push the tentative hanging metal toward outside while holding the ceiling panel.
2. Match the mounting hole of the panel with the screw hole of the indoor unit.
3. Using the attached washer based screw, tighten 4 positions at 4 corners of the suction port until the panel is fitted closely to the main unit. (Fig. 3)
4. Check the panel is fitted closely to the ceiling.
 - In this time, check there is no clearance between the indoor unit and the ceiling panel, and also between the ceiling panel and the ceiling surface. (Fig.4)



(Fig. 2)



(Fig. 4)

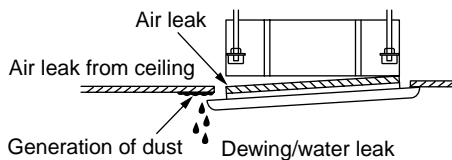


(Fig. 3)

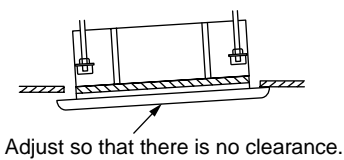
CAUTION

- As shown in the following figure, a trouble may be caused if the screws are incompletely tightened.

- When a clearance is found between the ceiling surface and the ceiling panel, readjust height of the indoor unit even if the screws have been tightened.

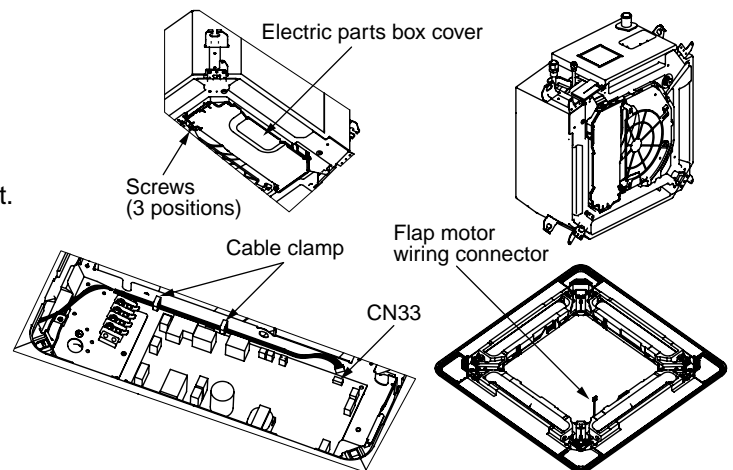


(Fig. 5)



(4) Cabling of ceiling panel

1. Open cover of the electric parts box.
2. Connect the flap motor wiring connector which comes forth from the ceiling panel to the connector 5P (CN33: white) on the P.C. board of the indoor unit.
 - **Connect the connector surely because the flap does not work if the connector is incompletely connected.**
3. Mount cover of the electric parts box in the reverse procedure of opening of the cover.
 - **Check whether the wiring connector is not pinched between the electric parts box and the cover.**
 - **Check whether the wiring connector is not pinched between the indoor unit and the ceiling panel.**



As shown in the figure, pass pipes so that the clamping material is mounted inner side. After connection, store the connector section in the electric parts box.

(Fig. 6)

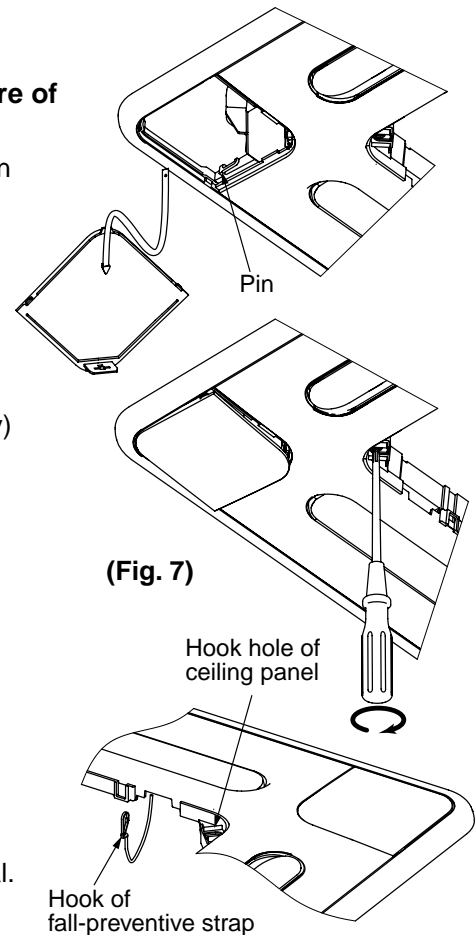
(5) Installation of adjust corner cap/suction grille

Install the adjust corner cap/suction grille in the reverse procedure of installation to the indoor unit.

- For this ceiling panel, the direction of the suction grille can be changed on customer's demand when multiple indoor units are installed.

A. Installation of adjust corner cap

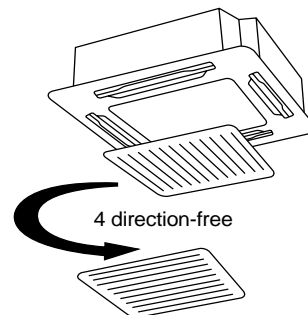
1. Hook the strap of the adjust corner cap surely to the pin of the ceiling panel.
2. As shown in Fig.7, install the adjust corner cap to the ceiling panel and fix it by tightening screw at the suction port corner. (Attached accessory)
 - * Screw tightening torque should be below 12 N•m (1.2 kgf•m).
3. Insert the claws of the adjust corner cap into hole at the ceiling panel corner and push in the adjust corner cap until you feel quick feeling. Fix the adjust corner cap by turning screw clockwise at the suction port corner of the ceiling panel. (Screw tightening torque should be below 12 N•m (1.2 kgf•m).) (Fig. 7)
 - After fixing, if claws at the both sides of the adjust corner cap float from the ceiling panel, push in the adjust corner cap.
4. When tightening a screw, do not use an electric screwdriver.



(Fig. 7)

B. Installation of suction grille

- To install the suction grille, follow to the reverse procedure of the removal. This ceiling panel can be installed from anyone of 4 directions by turning the suction grille. Change the direction on the customer's demand or according to the direction matching of the suction grille when multiple units are installed.
- **When installing the suction grille, be sure not to pinch the flap motor wiring connector.**
- Be sure to attach a strap to prevent falling of the suction grille to the ceiling panel.



(Fig. 8)

3. Others

A. Check after installation

- Check again there is no clearance between the indoor unit and the ceiling panel, and between the ceiling panel and the ceiling surface.
 - * A clearance causes water leak or dewing.
- Check the cables are connected surely.
 - * Incomplete connection causes such a trouble as the flap does not work.

B. For wireless remote controller

- For details of installation, refer to the Installation Manual attached to the wireless remote controller kit (sold separately).

After confirmation of the above items, hand a set of this manual, manuals for the indoor unit, manual for products sold separately, etc. to the customer.
For cleaning of the filter, be sure to ask the maintenance professional.