

TOSHIBA

CEILING PANEL

INSTALLATION MANUAL

Model: RBC-UD281PE(W), UD501PE(W), UD801PE(W), UD1401PE(W)

■ PARTS LIST

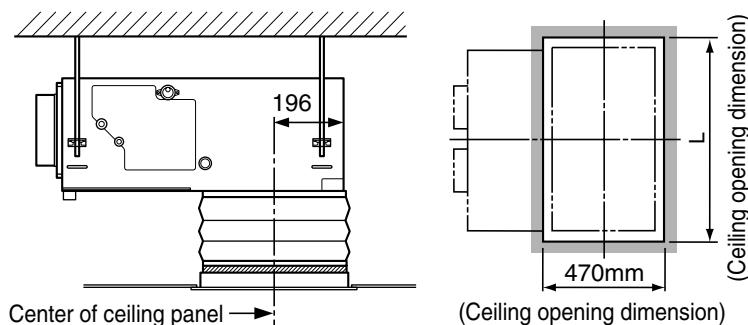
Parts name	RBC-UD281PE(W)	RBC-UD501PE(W)	RBC-UD801PE(W)	RBC-UD1401PE(W)
Ceiling panel	1	1	1	1
Fixing screw (M4 x 30mm)	4	4	10	10

Before installing the suction canvas, check the following:

- Check that heat insulation treatment is provided for the connection piping of the air conditioner.
- Check the levelness of the air conditioner and gradient of the drain piping.

■ RELATIVE DIMENSIONS

(Relative dimensions between the air conditioner and ceiling)



• Dimension L (mm)

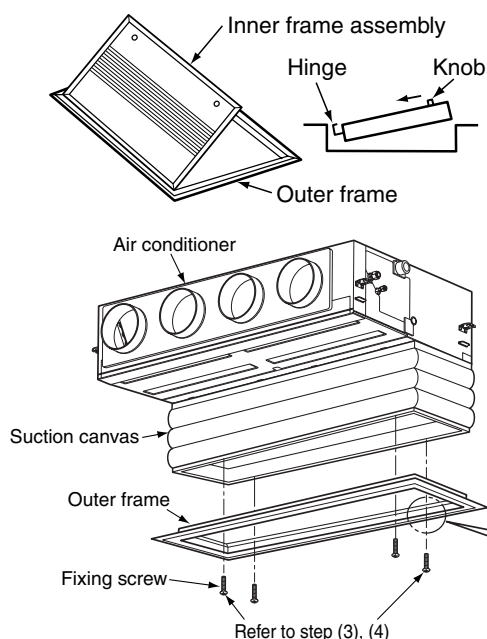
UD281PE(W)	UD501PE(W)	UD801PE(W)	UD1401PE(W)
620	770	1070	1420

Note: The lap margin of the ceiling panel and ceiling opening dimension is 15mm for the entire perimeter.

■ INSTALLATION PROCEDURE

There are 2 methods to mount the ceiling panel; mounting it by using the suction canvas (sold separately), or mounting it directly to the air conditioner.

Using the suction canvas

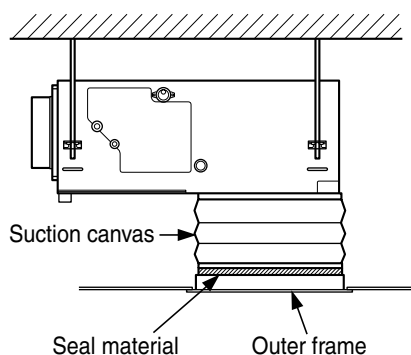


- (1) Remove the inner frame. To remove it, slide the knob to remove the hinge from the hole of the outer frame. (At the same time, remove the safety braid from the outer frame.)
- (2) Mount the suction canvas to the air conditioner. (For details, refer to the installation manual of the suction canvas.)
- (3) Temporarily tighten the 2 fixing screws of the outer frame.
- (4) Move the outer frame to the direction of the arrow to hook it to the 2 screws temporarily.

(It continues to the back.)

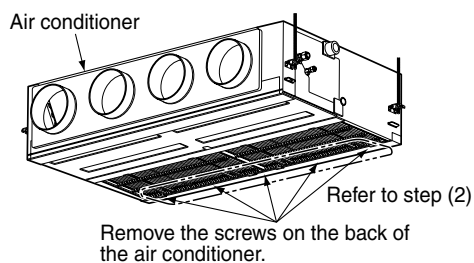
Using the suction canvas

(Continuation)



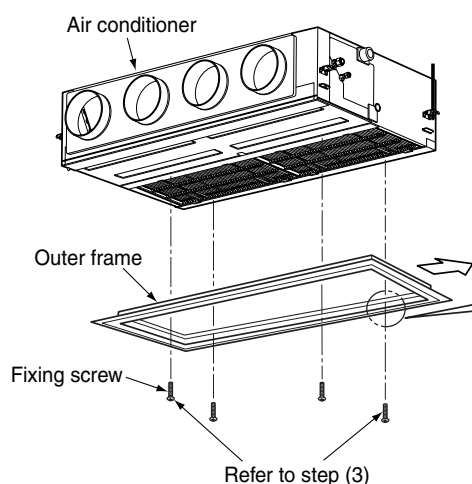
- (5) Fit the remaining screws, and tighten all the screws fully.
- (6) Use the attached chain and turnbuckle to adjust the suction canvas so that there is no gap between the suction canvas and ceiling surface.
- (7) Mount the inner frame to the outer frame.
Hook the hinge to the hole of the outer frame, slide the knob securely.
Finally, hook the safety braid.

Mounting it directly

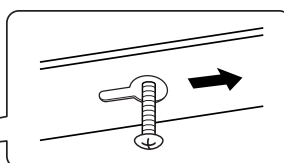


- (1) Remove the inner frame . To remove it, slide the knob to remove the hinge from the hole of the outer frame.
(At the same time, remove the safety braid from the outer frame.)
- (2) Remove the screws on the back of the air conditioner.
The removed screws are used for fixing parts of the outer frame.
It is necessary to remove these screws to install the outer frame.

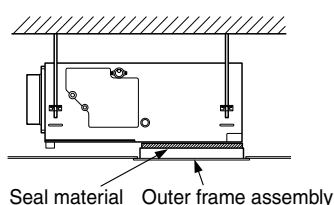
Model name	Number of the screw
MMD-AP0071BH to AP0181BH	2
RAV-SM561BT, SM562BT	
MMD-AP0241BH to AP0561BH	5
RAV-SM801BT to SM1401BT	
RAV-SM802BT to SM1402BT	



- (3) Temporarily tighten the 2 fixing screws of the outer frame.
- (4) Move the outer frame assembly to the direction of the arrow to hook it to the 2 screws temporarily.



- (5) Fit the remaining screws, and tighten all the screws fully.



When a crevice is made to ceiling and the outer frame, it adjusts with the hanging height of the air conditioner.

- (6) Mount the inner frame to the outer frame.
Hook the hinge to the hole of the outer frame, slide the knob securely.
Finally, hook the safety braid.