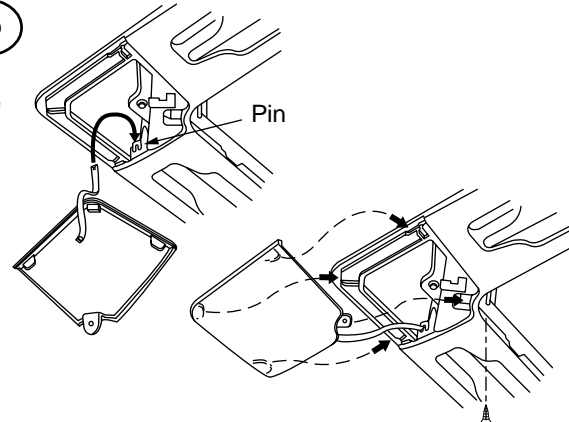


(5) Installation of adjust corner cap/suction grille

Install the adjust corner cap/suction grille in the reverse procedure of **installation to the indoor unit**.

- For this ceiling panel, as shown in the following figure, the direction of the suction grille can be changed on customer's demand when multiple indoor units are installed.



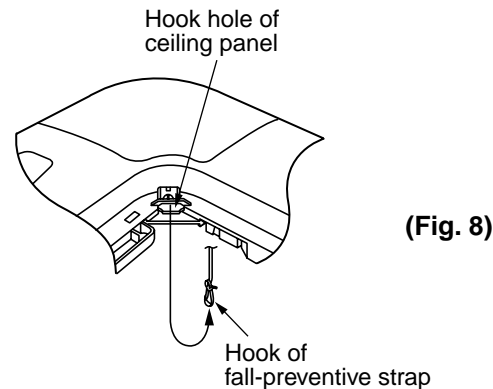
Install the adjust corner cap horizontally to the ceiling surface so that 3 hooks of the adjust corner cap are set in holes of the ceiling panel. And then fix it with the mounting screws (accessory part).

A. Installation of adjust corner cap

- Hook the strap of the adjust corner cap surely to the pin on the ceiling panel.
- Install the adjust corner cap to the ceiling panel, and fix it with the mounting screws. (accessory part)

B. Installation of suction grille

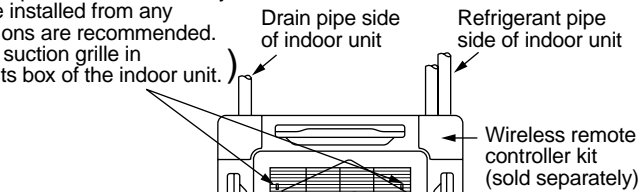
- To install the suction grille, follow to the reverse procedure of the removal. This ceiling panel can be installed from anyone of 4 directions by turning the suction grille. Change the direction on the customer's demand or according to the direction matching of the suction grille when multiple units are installed.
- When installing the suction grille, be sure not to pinch the flap motor wiring connector.**
- Be sure to attach a strap to prevent falling of the suction grille to the ceiling panel.



(Fig. 8)

3. Others

Positions of suction grille hooks at shipment from the factory
 * Although the suction grille can be installed from any position of 4 corners, these positions are recommended.
 (It is unnecessary to remove the suction grille in maintenance for the electric parts box of the indoor unit.)



(Fig. 9)

A. Check after installation

- Check again there is no clearance between the indoor unit and the ceiling panel, and between the ceiling panel and the ceiling surface.
 - * A clearance causes water leak or dewing.
- Check the cables are connected surely.
 - * Incomplete connection causes a trouble such as the flap does not work.

B. For wireless remote controller

- For details of installation, refer to the Installation Manual attached to the wireless remote controller kit (sold separately).

After confirmation of the above items, hand a set of this manual, manuals for the indoor unit, manual for products sold separately, etc. to the customer. For cleaning of the filter, be sure to ask the maintenance professional.

TOSHIBA INSTALLATION MANUAL

Ceiling Panel

MODEL: RBC-U21PG (W)-E2

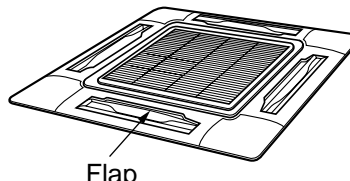
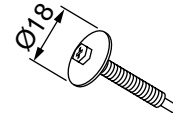

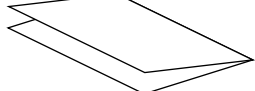
Cautions on Safety

- Before installation work, read this "Cautions on Safety" thoroughly.**
- Strictly keep the following items in mind because they describe the serious contents concerned with safety. The indications and meanings are as follows:**
- After installation work, accompanied with a test run to check if there is no trouble, explain the use method and maintenance of the unit to the customers according to Owner's Manual. And also ask the customers to obtain this Ceiling Panel Installation Manual together with Owner's Manual and Installation Manual of the indoor unit.

WARNING

- Ask an authorized dealer or qualified installation professional to install the ceiling panel.**
Inappropriate installation may result in water leakage, electric shock or fire if you install it by yourself.
- Carry out an installation work securely according to this Installation Manual.**
Inappropriate installation may result in water leakage, electric shock or fire.
- A person qualified in the electric work should execute the electric works according to the Installation Manual and should use the exclusive circuits. The voltage should be matched with the rated voltage of the product.**
The capacity shortage of electric circuit or inappropriate installation may result in electric shock or fire.
- Never modify or repair the product.**
Incomplete modification or repair may result in electric shock or fire.

Components

Name	Ceiling panel	Screw with washer	Screw	Installation manual
Q'ty	1	4 ØM5mm x 40mm	4 ØM4mm x 12mm	1
Shape	 Flap	 Ø18		 Ceiling Panel Installation Manual

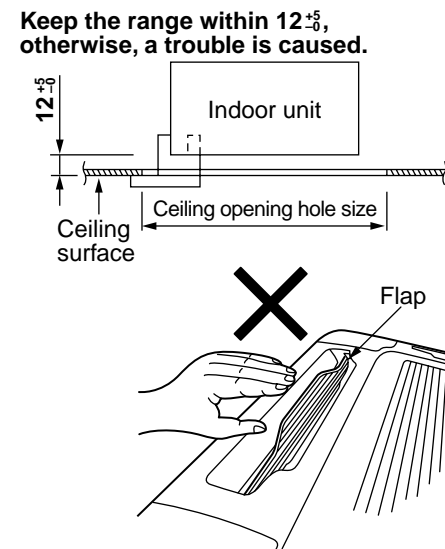
- Never apply an excessive force on the flap. It causes a trouble.**

1. Preparation before installation of ceiling panel

(1) Position check of indoor unit

1. Check the position of the indoor unit according to the Installation Manual.
2. Check the size of the ceiling opening hole, applied the following range.
860mm x 860mm to 910mm x 910mm
3. Using the installation gauge attached to the indoor packing, execute positioning of the ceiling surface and the indoor unit. If position of the ceiling surface does not match with position of the indoor unit, air leak, water leak (dewing), or malfunction of the flap is caused.

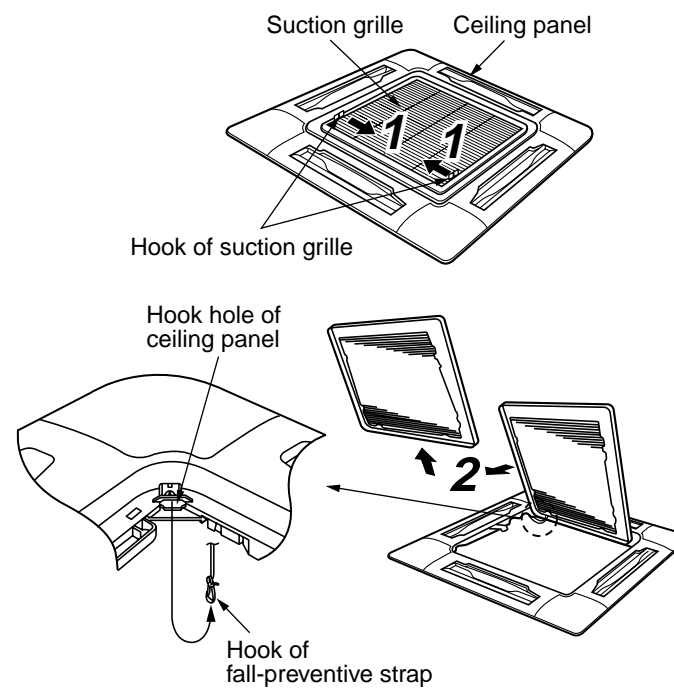
- Never put the ceiling panel downward, lean it, or leave it on a projection to avoid a damage on the surface of the ceiling panel.
- Do not apply an excessive force on the flap when hanging it tentatively to the indoor unit. (It causes a trouble on the flap.)



2. Installation to indoor unit

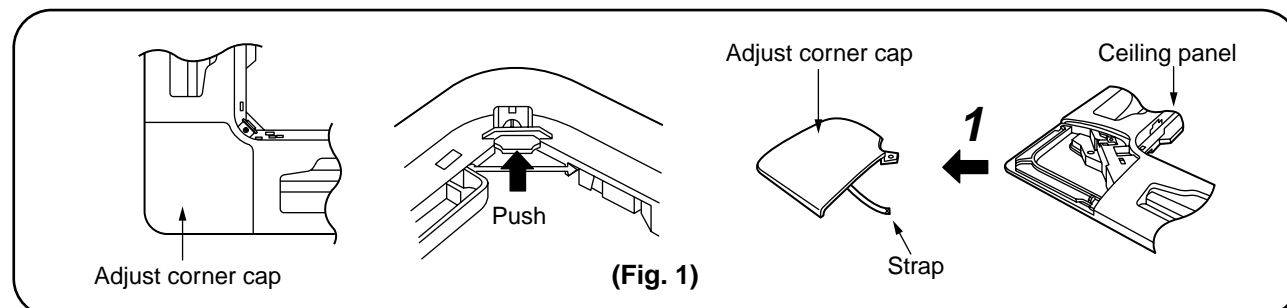
(1) Removal of suction grille

1. Open the suction grille by sliding the hook out of the suction grille along the arrow direction 1.
2. Take off hook of the fall-preventive strap from the ceiling panel.
 - Do not take off screws of the fall-preventive strap at the suction grille side.
3. As the suction grille opened, remove the hinge section of the suction grille from the ceiling panel toward the arrow direction (2).



(2) Removal of adjust corner cap

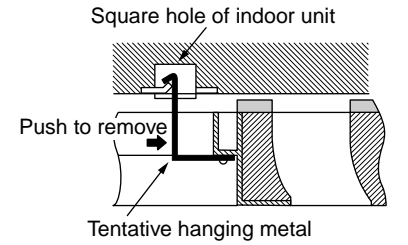
1. Slide the adjust corner cap along the arrow direction 1, and then remove the adjust corner cap. (Fig. 1)



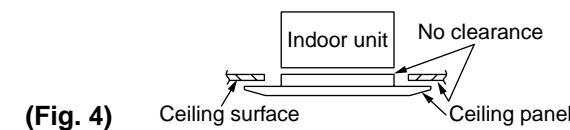
(3) Installation of ceiling panel

The angle change of the flap is possible while the power supply is turned on. (Do not move forcibly the flap with hands. It may break the flap.)

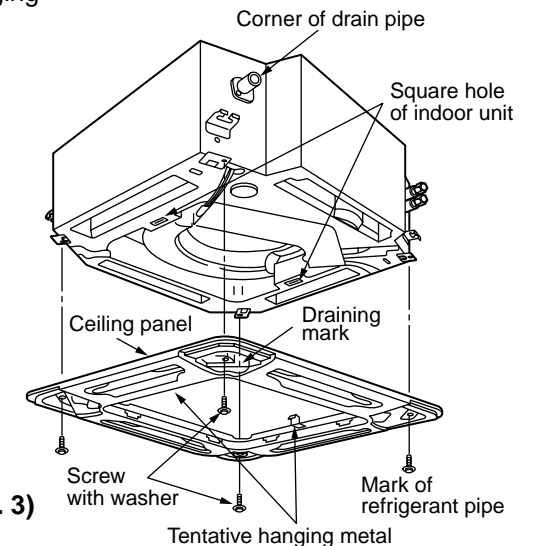
1. For tentative hanging, insert the tentative hanging metal (stainless) inside of the ceiling panel into the square hole of the indoor unit. (Fig. 2)
 - The ceiling panel has directional ability against the indoor unit. Direct the mark of **refrigerant pipe** at the ceiling panel corner toward the pipe side.
 - Holding the ceiling panel, remove it while pushing the tentative hanging metal toward the outside.
2. Match the mounting hole of the panel with the screw hole of the indoor unit.
3. Using the attached screws with washer, tighten 4 positions at corners of the suction port until the panel is fitted closely to the main unit. (Fig. 3)
4. Check the panel is fitted closely to the ceiling.
 - In this time, check there is no clearance between the indoor unit and the ceiling panel, and between the ceiling panel and the ceiling surface. (Fig. 4)



(Fig. 2)



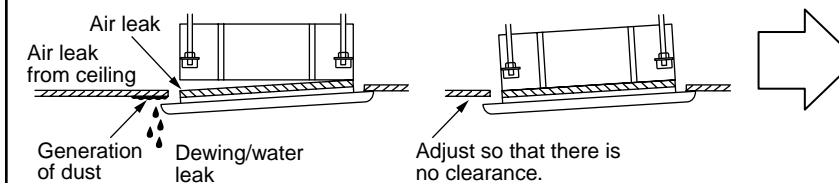
(Fig. 4)



(Fig. 3)

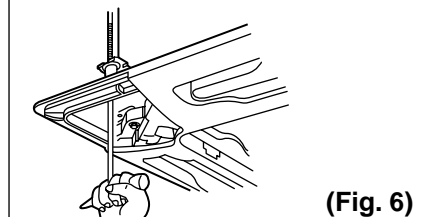
CAUTIONS

- Tighten the screws securely because a trouble is caused as shown in the following figure if the screws are incompletely tightened.
- When there is a clearance between the ceiling surface and the ceiling panel even if the screws have been tightened, readjust height of the indoor unit.



(Fig. 5)

The height of the indoor unit can be adjusted from corner hole on the ceiling panel as the ceiling panel is installed if the adjustment does not affect the levelness of the indoor unit, drain pipe, etc.

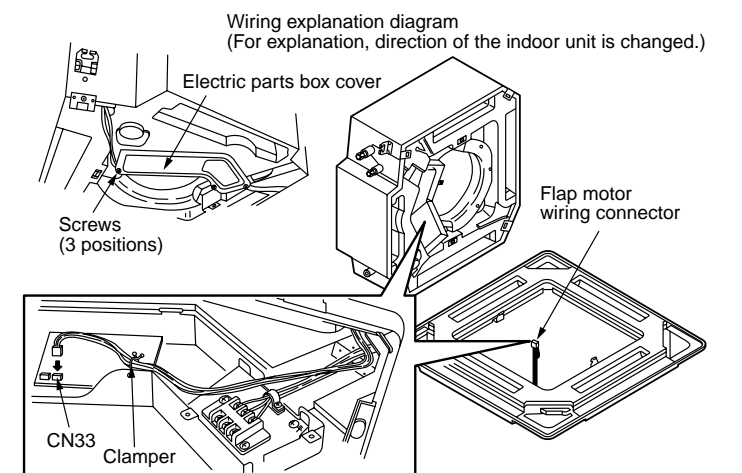


(Fig. 6)

After adjustment, be sure to tighten the mounting nut of the indoor unit securely.

(4) Cabling of ceiling panel

1. Open cover of the electric parts box.
2. Connect the flap motor wiring connector out of the ceiling panel to the connector 5P (CN33: white) on P.C. board of the indoor unit.
 - Connect the connector surely because the flap does not work if the connector is not connected.
3. Mount cover of the electric parts box in the reverse procedure of opening of the cover.
 - Check whether the wiring connector is pinched between the electric parts box and the cover or not.
 - Check whether the wiring connector is pinched between the indoor unit and the ceiling panel or not.



As shown in the figure, pass the clamping material through inside of the slit. After connection, store the connector section in the electric parts box.

(Fig. 7)