

TOSHIBA INSTALLATION MANUAL

To Personnel Charged in Installation Work and Service

Wireless remote controller kit
Model: RBC-AX33CE

- Thank you for purchasing Wireless remote controller kit TOSHIBA packaged air conditioner.
 - Read this manual carefully for correct installation of the wireless remote controller kit before starting work.
 - After the installation is completed, execute a test run to check for normal operation and explain how to use and maintain the wireless remote controller kit to the customer according to the Owner's Manual.
- Ask the customer to keep this manual with the Owner's Manual.

Observe the safety precautions described in the Owner's Manual of the wireless remote controller kit, Installation Manual and Owner's Manual of the ceiling type air conditioner (indoor unit).

- For installing the wireless remote controller kit to a 1-way Cassette Type, refer to the Installation Manual of the Ceiling panel (RBC-US21PGE).

Accessory parts

No.	Part Name	Qty	No.	Part Name	Qty
1	Signal receiving unit	1	5	Owner's Manual	1
2	Remote controller	1	6	Installation Manual	1
3	Remote controller holder	1	7	Screw, M4 x 16 mm	2
4	Battery	2	8	Cord clamp	2

Settings for the signal receiving unit before installation

Before installing the signal receiving unit, make the following settings referring to each description.

- To install the wireless remote controller together with wired remote controller, configure the "Multiple remote controller installation"
- When ceiling height exceeds the standard height (factory default), refer to the "Installing indoor unit on high ceiling" on installation manual of the indoor unit.

Install of the signal receiving unit

1. Remove a screw, move the side panel toward you (direction of arrow), and then remove the side panel. (Fig. 1)

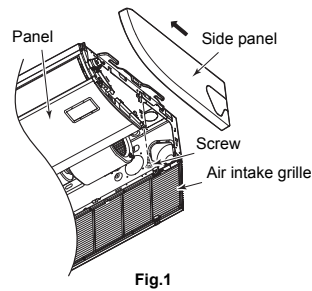


Fig.1

2. Lap the end of flat head screw driver with vinyl tape, and forcedly insert it into the groove at the side under circle mark on the cover. (Be careful not to damage the panel.) (Fig. 2)

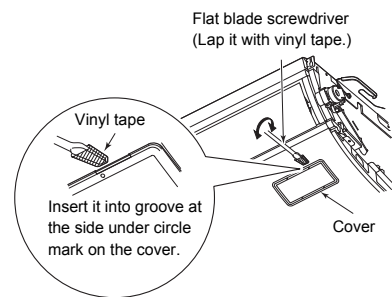


Fig.2

4. Fix the lead wire of the signal receiving unit to the cord clamp which fixes the wires of the louver motor. (Fig. 3)

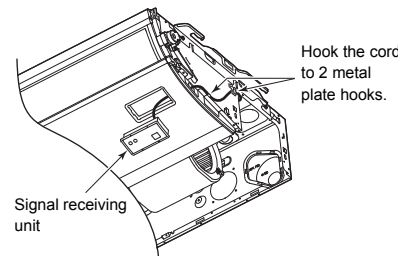


Fig.3

5. Install the side panels, with screws as original.
6. The lead wire from signal receiving unit is fixed by the cord clamp 1, 2 as shown in figure. (Fig. 4)
 - * It's connected to a connection of Remote control wire through a hole for Remote control wire.
7. After all connections have been made, install the air intake grill before doing the "TEST RUN".

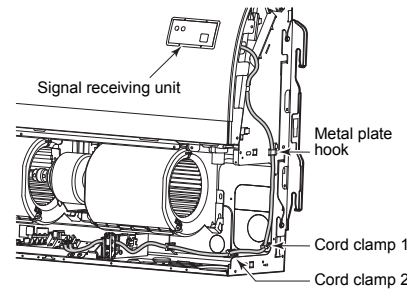


Fig.4

Note:

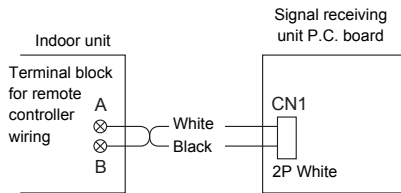
- Avoid to twist cables of the sensor with the power cables, otherwise a malfunction is caused.
- * For cabling and TEST RUN, refer to "Wiring" of these sheets and "TEST RUN" of the Installation manual attached to the indoor unit.

Wiring

<Wiring diagram>

<Connection>

Connect the wires out of the signal receiving unit to the terminal block for remote controller wiring of the indoor unit. (They do not have polarity.)



Multiple remote controller installation

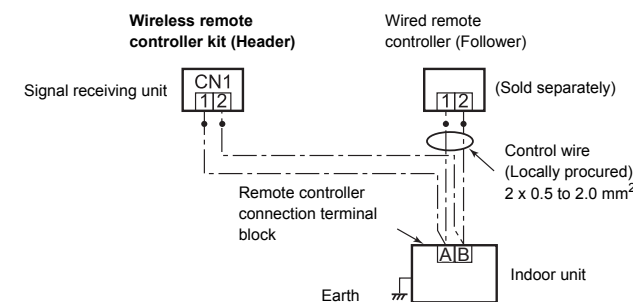
The control by two remote controllers is enabled by installing the wireless remote controller with the wired remote controller for an indoor unit. (Max. 2 remote controllers of wireless or wired are insatiable.) "2-remote controllers" controlling means that one or multiple units are operated by the multiple remote controllers.

Note:

1. Upon confirmation of the terminal numbers of the indoor unit, connect the control wire without miswiring. (If applied 220 - 240 V, damage the unit.)
2. The multiple wireless remote controller kits cannot concurrently be used for an indoor unit.
3. When installing simultaneously the wireless remote controller with the wired remote controller, set one of them as the follower remote controller.
 - To use wired remote controller or Lite-vision plus remote controller as a follower, settings must be changed. For the details, refer to the installation manual of each controller.
 - To use the wireless remote controller as a follower, set bit 4 (Follower side) of DIP switch SW30 on the signal receiving unit P.C. board to ON.

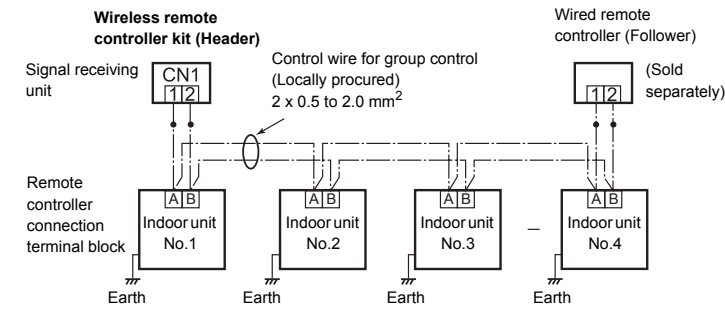
2-remote controllers

The indoor unit is operated if either wireless or wired remote controller is set as header or follower remote controller. (Total wire length: Within 400 m)



Group control

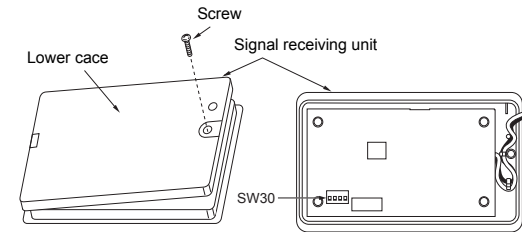
Header and follower remote controllers are operable even if they are installed to any indoor unit. (Total wire length: Within 200 m)



Remote controller address (A-B selection) setting

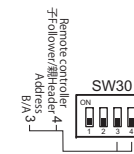
- When two or more signal receiving units are installed in a room, a unique address can be set for each signal receiving unit to prevent interference.
- Address (A-B selection) must be changed on both signal receiving unit and wireless remote controller.
- For the details of address change (A-B selection) on wireless remote controller, refer to the owner's manual.

Turn off the indoor unit power supply. Turn on the bit 4 of DIP switch SW30 on the signal receiving unit P.C. board. The setting change is shown below.



DIP switch [SW30]

4	ON=follower	OFF=header
3	ON=B	OFF=A
2	Not used	
1	Not used	



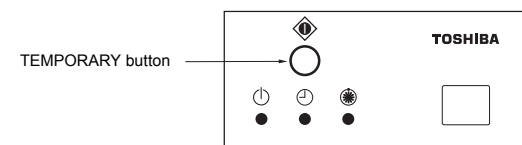
Test run (Forced cooling operation)

Requirement:

- Finish the forced cooling operation in a short time because it applies excessive strength to the air conditioner.

How to perform forced cooling operation

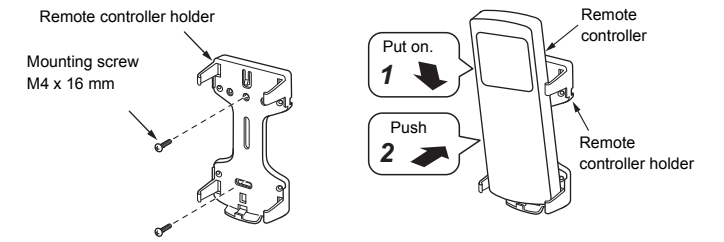
1. When TEMPORARY button is pushed for 10 seconds or more, "Pi!" sound is heard and the operation changes to a forced cooling operation. After approx. 3 minutes, a cooling operation starts forcedly. Check cool air starts blowing. If the operation does not start, check wiring again.
 2. To stop a test operation, push TEMPORARY button once again (Approx. 1 second).
- Check wiring / piping of the indoor and outdoor units in forced cooling operation.



How to handle the remote controller

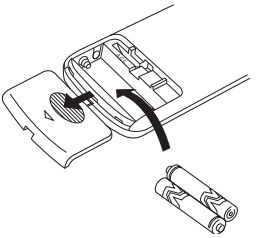
In case using remote controller mounting to the wall, etc.

Check a signal is received correctly by pushing \odot button at the position to be fixed.



• Loading Batteries

1. Remove the battery cover.
2. Insert 2 new batteries (R03 [AAA]) following the (+) and (-) positions.



Self-diagnosis function and measures

- The following table shows a few examples. For details of indoor unit errors, refer to the Installation Manual of the indoor unit.

LED	Possible cause	Measures
<p>These LEDs do not light or blink even if the remote controller is operated.</p>	<p>- Power is not turned on. - Incorrect connection between signal receiving unit and indoor unit</p>	<p>Check connections and reconnect wires correctly, if necessary.</p>
<p>Loose connection between signal receiving unit and indoor unit</p>	<p>Loose connection between signal receiving unit and indoor unit</p>	
<p>Incorrect or loose connection between indoor unit and outdoor unit</p>	<p>Incorrect or loose connection between indoor unit and outdoor unit</p>	<p>Check the outdoor unit.</p>
<p>The protective device of the outdoor unit is activated.</p>	<p>The protective device of the outdoor unit is activated.</p>	<p>Check the indoor unit.</p>

LEDs on the signal receiving unit ●: OFF \odot : Blinking (at intervals of 0.5 seconds)
LED color \odot : Green \odot : Green \odot : Orange

Notes on installing remote controller

- When using a wireless remote controller in the remote controller holder on a wall, turn on a fluorescent light and operate the remote controller at the installation position. Make sure that the air conditioner operates normally and then secure the remote controller holder on the wall.
- When installing a remote controller that senses room temperature with the sensor, avoid the following places.
 - A place exposed to direct cool air, warm air or direct sunlight
 - A place subject to thermal effects

Explanation to the customer

- After the installation work has been completed, execute a test run to check for normal operation and then hand the customer the Owner's Manual and Installation Manual of the wireless remote controller kit.
- Explain how to use and maintain the wireless remote controller kit to the customer according to the Owner's Manual of the wireless remote controller kit.